

# Nand Universal Gate: Build Logic Gates Using Cmos And Ttl Nand Gates Study And

Embark on an enlightening journey into the realm of digital logic with our meticulously crafted book, "Nand Universal Gate: Build Logic Gates Using CMOS and TTL NAND Gates." This comprehensive guidebook empowers you to unravel the complexities of digital logic and master the art of constructing logic gates using CMOS and TTL NAND gates, the foundational building blocks of modern digital circuits.

## Chapter 1: Unveiling the NAND Gate

Commence your digital logic odyssey with a thorough exploration of the NAND gate, the cornerstone of all digital circuitry. Delve into its truth table, Boolean expression, and circuit diagram, gaining a deep understanding of its fundamental operation.



## NAND A UNIVERSAL GATE BUILD LOGIC GATES USING CMOS AND TTL NAND GATES STUDY AND VERIFY FOR POSITIVE LOGIC: Build on the Breadboard

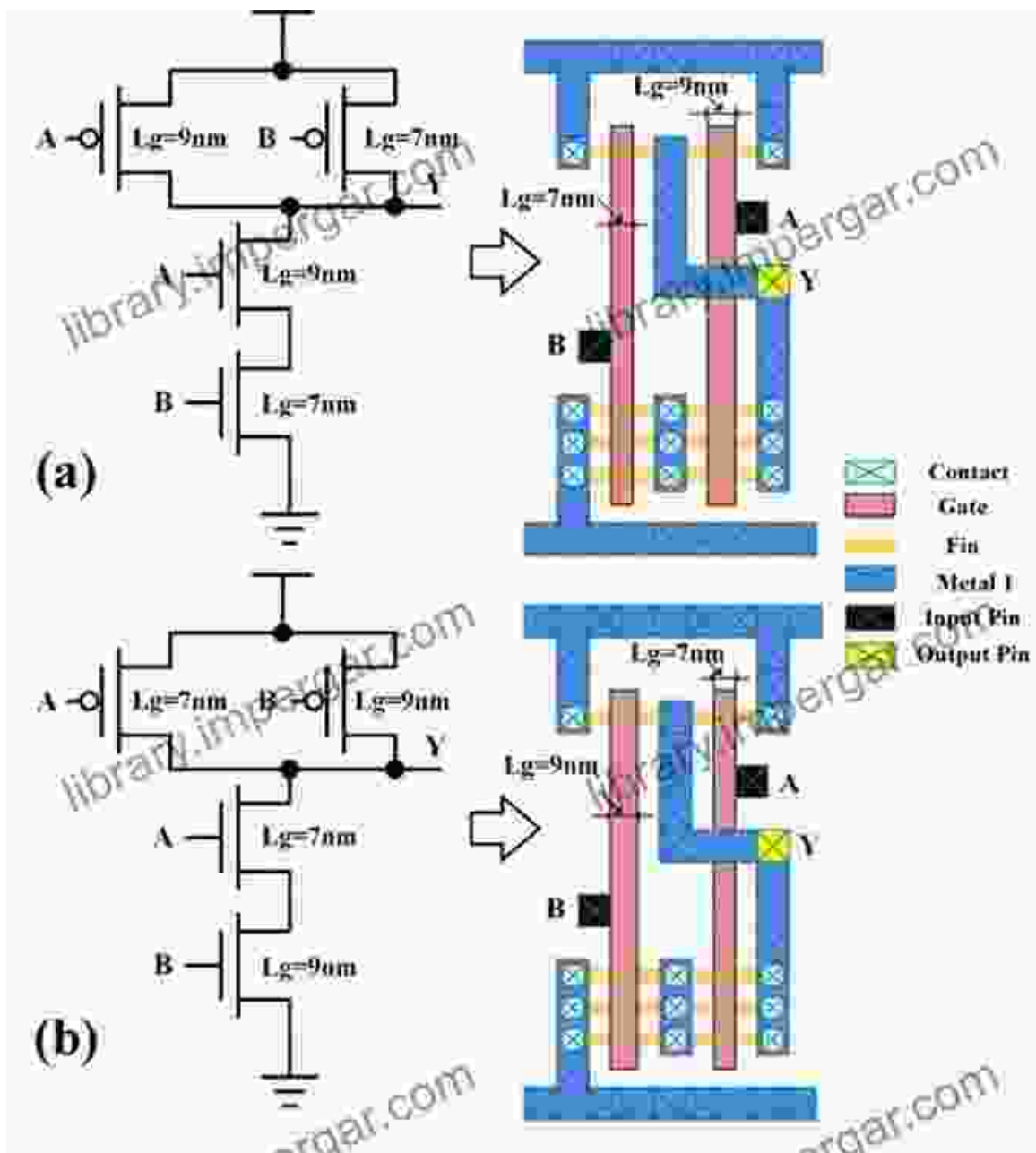
★★★★★ 5 out of 5

Language : English  
File size : 10947 KB  
Text-to-Speech : Enabled  
Screen Reader : Supported  
Enhanced typesetting : Enabled  
Print length : 120 pages

FREE

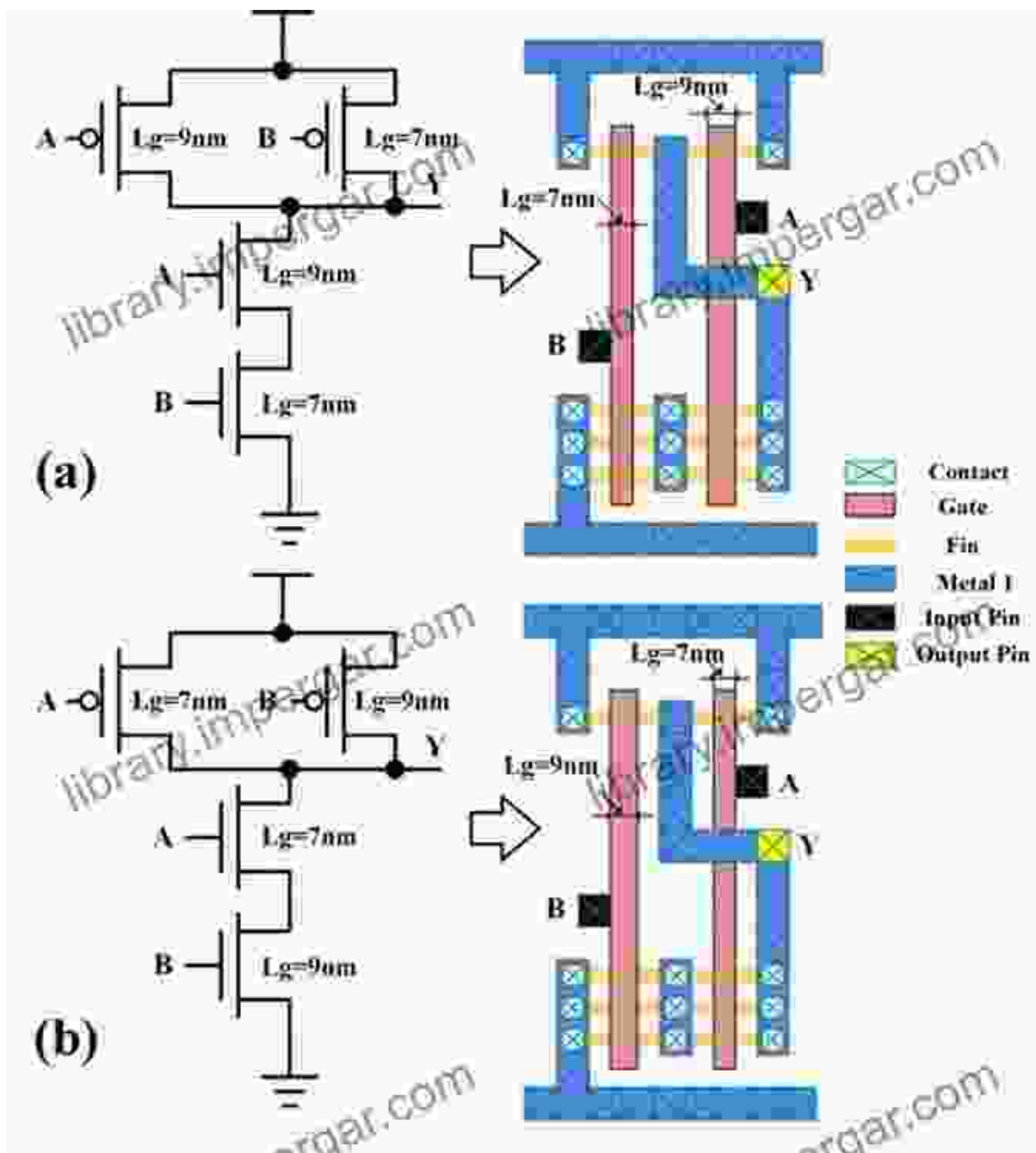
DOWNLOAD E-BOOK





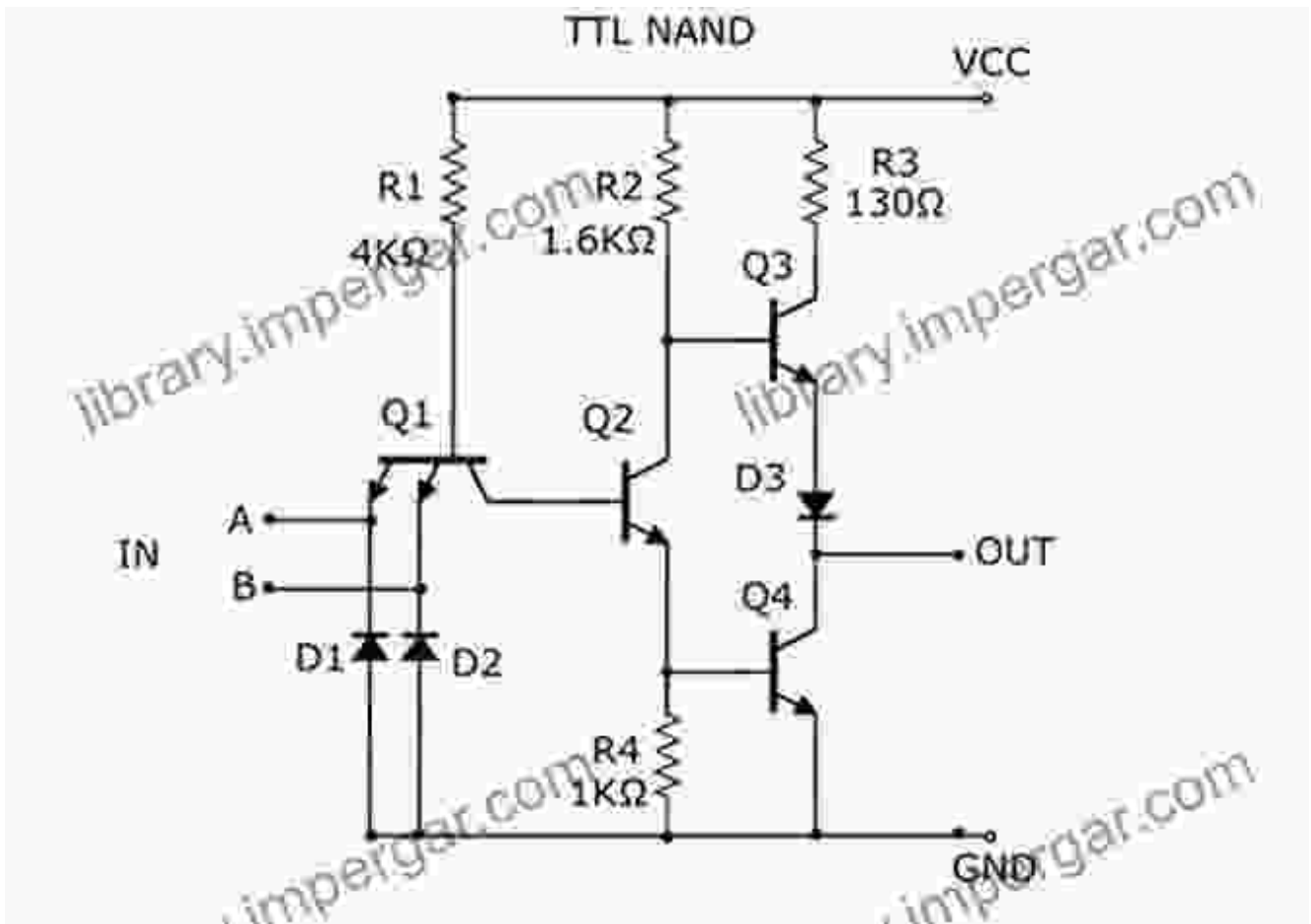
## Chapter 2: Harnessing the Power of CMOS

Discover the intricacies of CMOS technology, the prevalent choice for constructing modern digital circuits. Learn about its advantages, including low power consumption and high integration density, and delve into the schematics and characteristics of CMOS NAND gates.



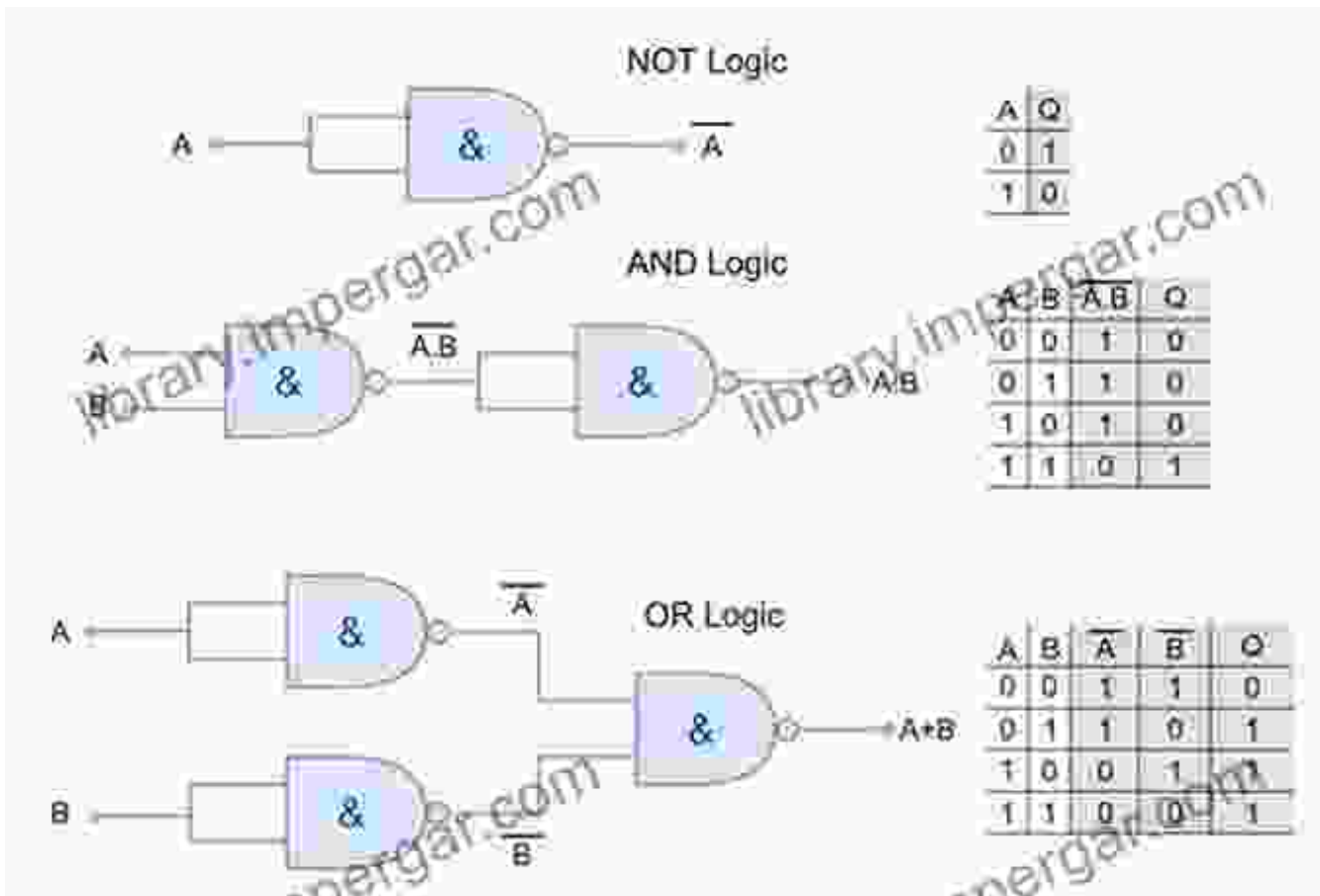
### Chapter 3: Mastering TTL Technology

Explore the world of TTL (Transistor-Transistor Logic), a robust technology widely used in digital logic design. Understand the operation of TTL NAND gates, their electrical characteristics, and the nuances of interfacing them with CMOS circuits.



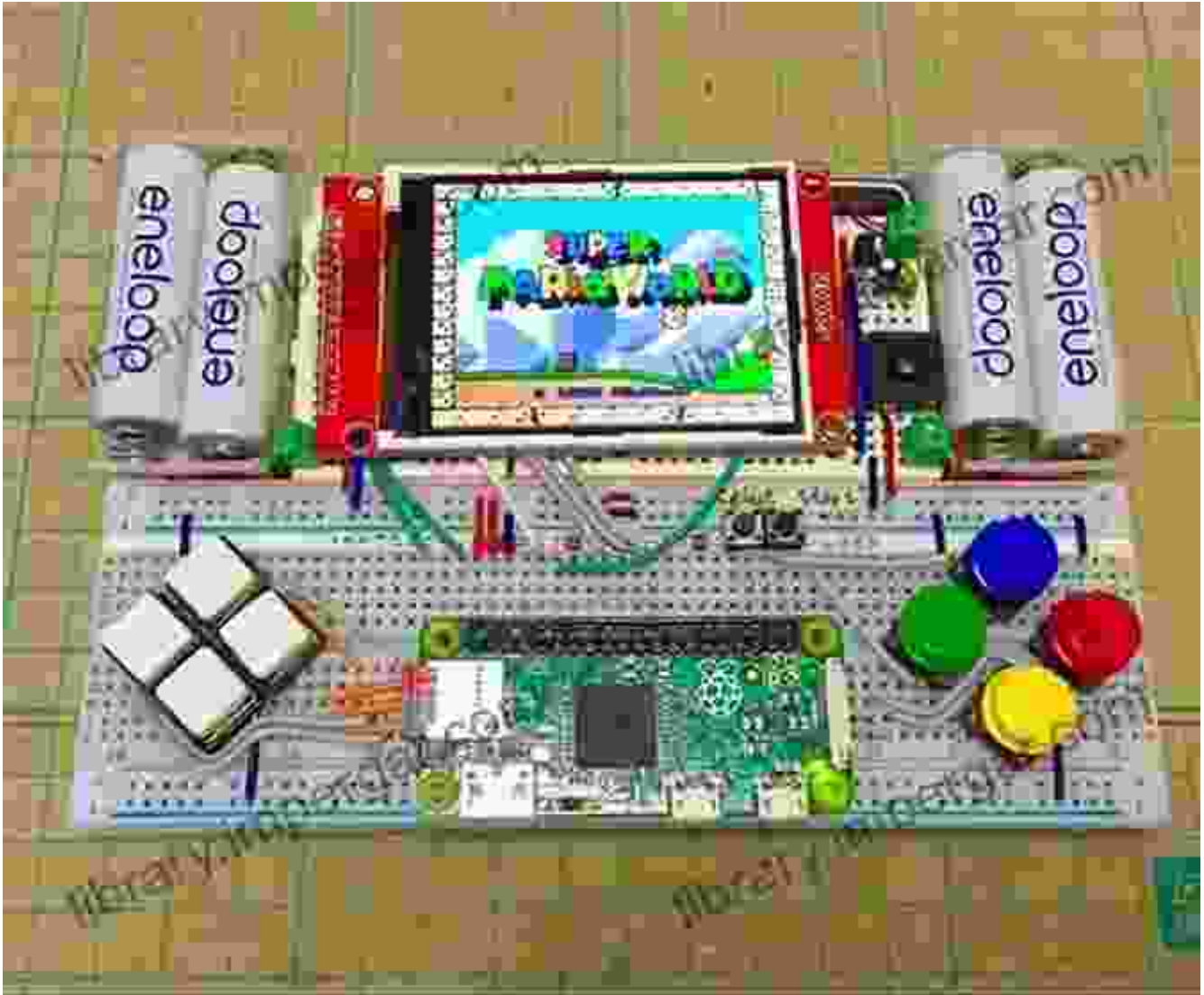
## Chapter 4: Building Logic Gates with NAND Gates

Unleash the power of NAND gates by learning how to construct a myriad of essential logic gates, including AND, OR, NOT, XOR, and XNOR gates. Follow step-by-step instructions and circuit diagrams to gain hands-on experience in digital logic design.



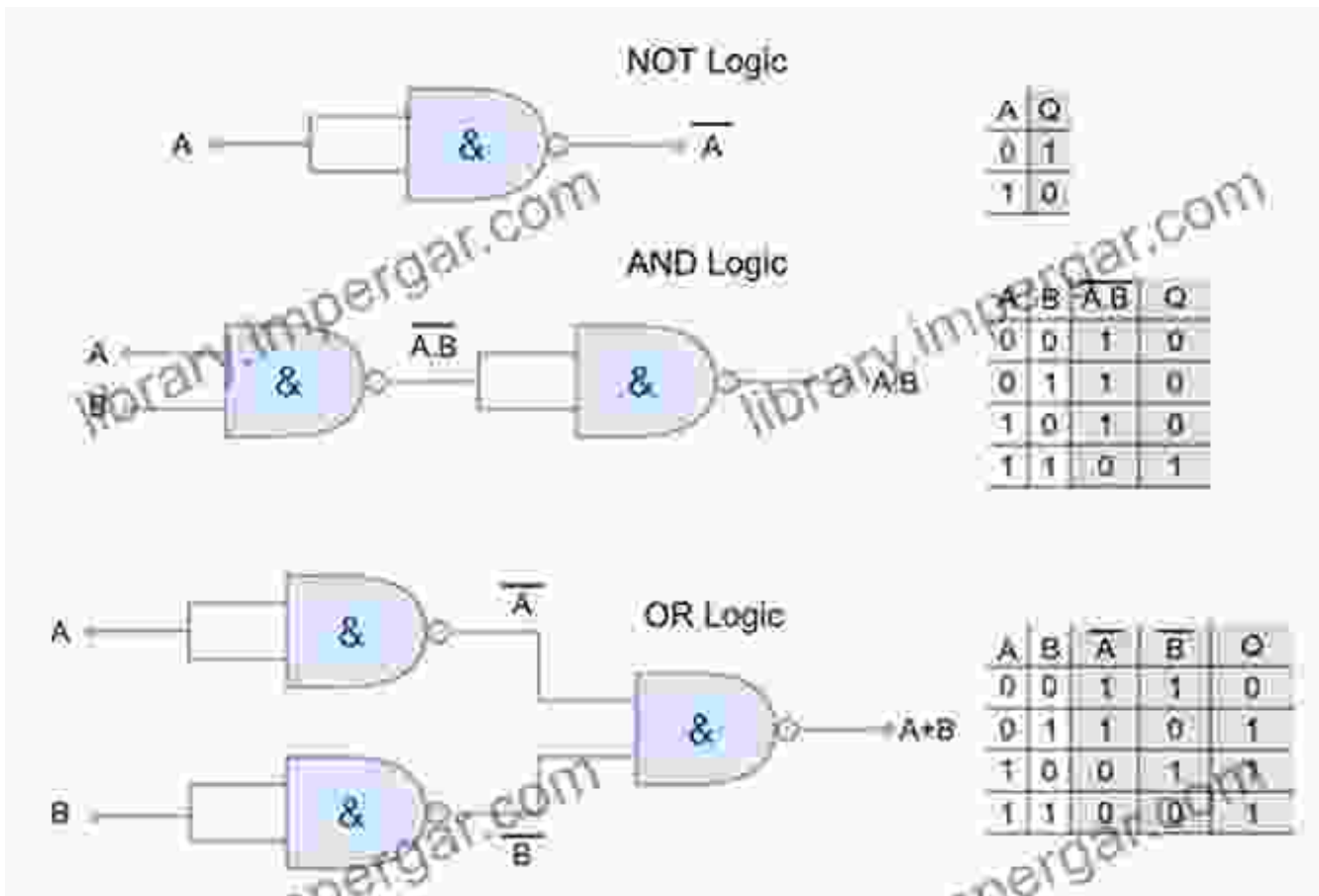
## Chapter 5: Practical Applications of NAND Gates

Witness the practical applications of NAND gates in real-world scenarios. Learn how to design and implement combinational and sequential logic circuits, including decoders, multiplexers, flip-flops, and counters, using NAND gates.



## Chapter 6: Troubleshooting and Debugging

Equip yourself with essential troubleshooting and debugging techniques to diagnose and resolve issues in digital logic circuits. Learn how to identify common errors, analyze circuit behavior, and implement effective debugging strategies.



With "Nand Universal Gate: Build Logic Gates Using CMOS and TTL NAND Gates," you embark on a transformative learning experience, mastering the fundamentals of digital logic and gaining the skills to design and implement complex digital circuits with confidence. Whether you're a student, hobbyist, or professional engineer, this comprehensive guidebook serves as an invaluable resource, empowering you to unlock the limitless possibilities of digital technology.

### Free Download Your Copy Today!

Don't miss out on this exceptional opportunity to enhance your understanding of digital logic and elevate your electronics skills. Free Download your copy of "Nand Universal Gate: Build Logic Gates Using

CMOS and TTL NAND Gates" today and embark on a journey of discovery and innovation.

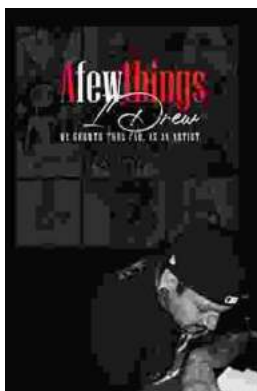
Click here to Free Download your copy now!



## NAND A UNIVERSAL GATE BUILD LOGIC GATES USING CMOS AND TTL NAND GATES STUDY AND VERIFY FOR POSITIVE LOGIC: Build on the Breadboard

★★★★★ 5 out of 5

Language : English  
File size : 10947 KB  
Text-to-Speech : Enabled  
Screen Reader : Supported  
Enhanced typesetting : Enabled  
Print length : 120 pages



## My Growth Thus Far As An Artist: A Journey of Self-Discovery and Artistic Expression

Art has always been a part of my life. As a child, I would spend hours drawing and painting, lost in my own world of imagination. As I grew...





## **In Search of Ramsden and Carr: Unveiling the Unsung Heroes of Scientific Precision**

Document In the annals of scientific history, the names Ramsden and Carr may not immediately resonate with the same familiarity as towering figures like Newton or...